

LAARS[®] FT SERIES

**Floor Standing Boiler
or Combination Boiler
& Water Heater**

Ultra-high 95+% efficiency



Industry-leading 6 gallon first minute
domestic hot water delivery!

**HIGH EFFICIENCY &
ENVIRONMENTALLY FRIENDLY**

LAARS[®] 
Heating Systems Company

Built to be the Best[®]

THE LAARS FT SERIES FLOOR BOILER

Since our beginning as Laars Engineering in 1948, Laars has embodied innovation and advancement in heating technology. We have built upon our technology over the past seventy plus years to ensure Laars products meet the demands of today's discerning customer.

Laars stands behind each of its products with stringent quality standards which require each unit to be live-fired before it's packaged, and a service and support team that places the customer and their needs first – every time.

Laars products are widely used in space heating, radiant floor heating, baseboard heating, radiators and domestic water heating. Laars' years of experience, world class engineering, and customer support combine to make us your go-to experts in home heating. Laars brings comfort, reliability, and peace of mind to you and your home.

95+% EFFICIENCY

LONG-LIFE DESIGN

SMART HEATING



SMART HEATING • EXTENDING BOILER LIFE WHILE INCREASING COMFORT

The FT Series combi floor boiler will supply abundant heat to your home while simultaneously supplying endless hot water when you need it. **No other boiler can make this statement.** The FT Series floor model with smart technology pauses the heating cycle during a domestic hot water demand. It will then automatically determine if the space heating mode can be turned back on without reducing domestic hot water temperature. Since there is no diverter valve like a traditional combi unit, water is supplied for both space heating and domestic water heating simultaneously! The FT Series will continue to provide up to 3 gpm for space heating, that is plenty to continue to maintain a warm home. Simultaneous space heating and hot water all in one package.

Get an FT Series combi floor boiler and never experience another shower that is sometimes hot, sometimes not!

COMFORT • RELIABILITY • PEACE OF MIND

Comfort is directly linked to warmth, such as the warmth needed to heat a home or provide hot water. Daily life is rooted in these needs. The Laars FT Series boilers are built to provide space heating and domestic hot water reliably, efficiently and economically.

The FT Series combi boiler's unique, integrated domestic hot water mini-indirect tank delivers stable hot water on demand. The mini-indirect contains up to one gallon of stored hot water on standby at all times. This translates to an immediate response for you, greatly reducing "time-to-faucet" to provide hot water quickly and indefinitely.



Our compact design will not waste precious floor space and with its side access panels will be easy to maintain for years to come.

The FT Series floor boiler & water heater is a powerhouse that can manage your home heating & hot water needs.



SAVE MONEY WITH REBATES & TAX CREDITS



Don't leave money on the table, we've made it easy for you to locate rebates!

Visit www.laars.com/rebate-center and learn about the savings in your neighborhood!



CONTRACTOR FRIENDLY PEXHEAT.COM

Stainless Steel Fire Tube Heat Exchanger

Contractor feedback played a major role in the design of the FT Series boiler. It is built for ease of installation, ease of maintenance, and overall customer satisfaction.



Built-In Primary/Secondary Piping via Internal Low Loss Header

The FT Series floor model includes an integral low-loss header to hydraulically separate the boiler loop from a home's heating loop. Simply connect to the system supply and return and your boiler piping is complete!



10:1 Turndown

Boiler and combi units modulate seamlessly from 100% to 10% of input during heat demand with full input during domestic demand.



Three large access panels on sides of FT Series:

Easily reach components that require periodic maintenance



High and Low Temperature Heating Demand Control



Domestic Water Recirculation on combi units



Air intake screen built into the air intake adapter:

Removable and cleanable



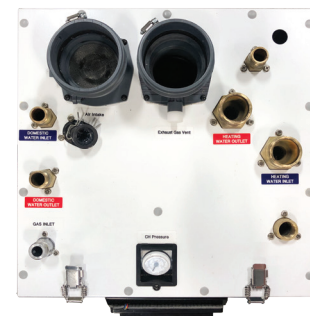
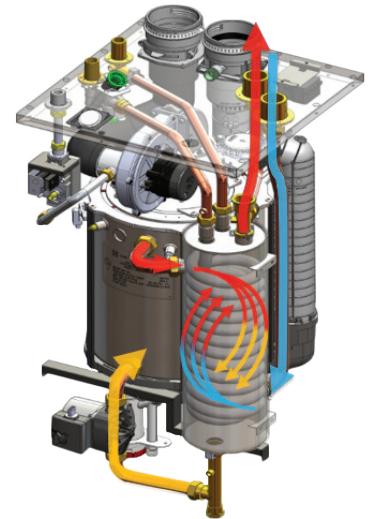
Multiple venting options:

PVC, CPVC, Polypropylene, and Stainless Steel
Two Pipe or Two Pipe to Concentric Venting



Industry leading domestic hot water delivery from a combi floor boiler:

First minute delivery at 70° rise: 6+ gpm
Continuous delivery at 70° rise: 5.2 gpm



All piping connections located on top:

Easily retrofit regardless of original piping arrangement. Fit into tight alcove or closet installations.

LAARS – TRUSTED PRODUCTS, TRUSTED SUPPORT, TRUSTED NETWORK

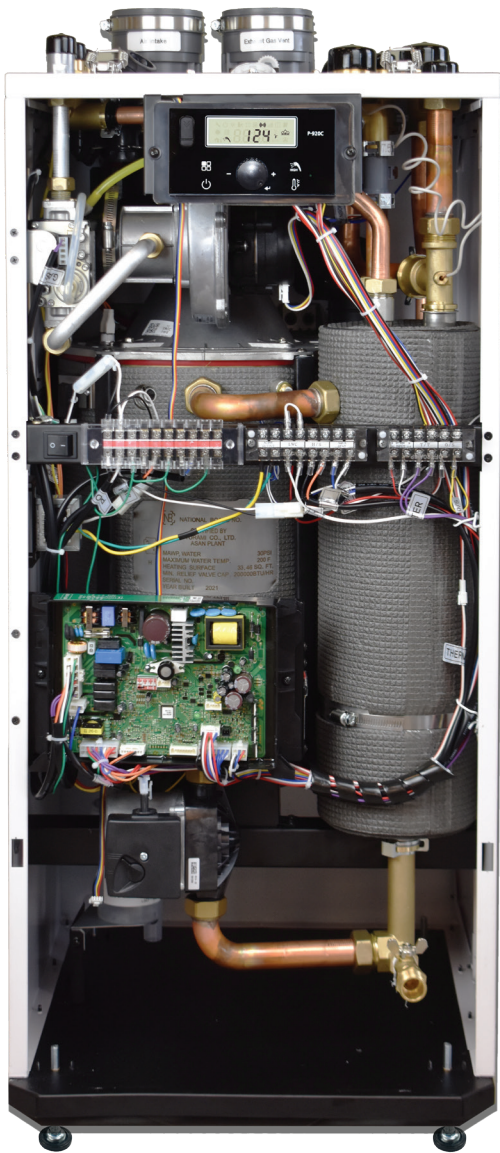
Service Network
Technical Phone Support
Customer Center Training
Wide Distribution Network

TRUST

AND SUPERIOR PERFORMANCE

nger | 95.3% AFUE | 10:1 Turndown

INCLUDED WITH FT SERIES



Adjustable Leveling Feet



3-in-1 Brass Adaptor
Easily mount PRV, Air Eliminator,
and External LWCO



Grundfos Heating Loop Pump
(installed)



Pressure Relief Valve



Automatic Air Elimination Vent



Thermostatic Mixing Valve



Air Intake Filter
(installed)



Outdoor Sensor



Propane Conversion Kit

OPTIONAL ACCESSORIES



Condensate Neutralizer & Pump
FT3007



Vent Terminal – Flush
2" CA010100
3" CA010101



Vent Terminal – Bazooka
2" 239-44069-02
3" 239-44069-01



Concentric Stainless Steel Adapter Kit
FT3006



Concentric Polypropylene Adapter Kit
FT3002

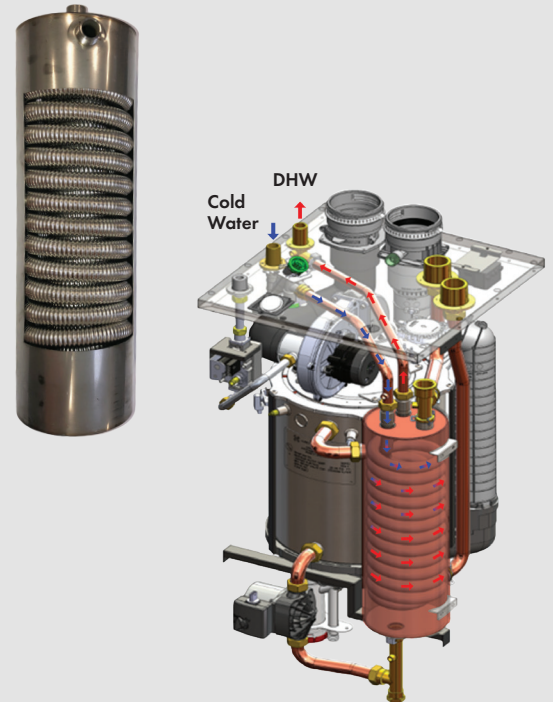
FT SERIES DOMESTIC HOT WATER ADVANTAGE

UNPARALLELED DOMESTIC HOT WATER DELIVERY

MINI-INDIRECT TANK – THE UNSUNG HERO

The FT Series combi boiler's unique, integrated domestic hot water mini-indirect tank delivers stable hot water on demand. This design eliminates the "cold water sandwich" problem experienced with brands utilizing flat plate designs.

- Contains up to one gallon of stored hot water on standby at all times
- Provides immediate response, greatly reducing "time-to-faucet"
- FT Series mini-indirect tank technology:
 - Domestic hot water stored in a coiled, stainless tube
 - Boiler water surrounds the domestic hot water coil keeping it hot at all times
 - Tank is surrounded in a heavily-insulated wrap to minimize heat loss
- Mini-indirect tank plus a factory-supplied mixing valve equals precise, stable water temperature

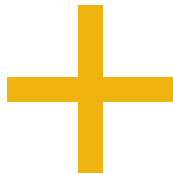


HEAT AND HOT WATER FOR ANY SITUATION

FT Series
Heat Only Model



Laars-Stor®
Indirect Water Heater



For homes with very large domestic hot water demands, such as hot tubs or giant soaking tubs, Laars can meet the need!

Pair the Laars FT Series heating boiler with a Laar-Stor® Indirect Water Heater for a high efficiency, high output domestic hot water solution. The FT Series boiler is used to heat the domestic water inside the Laars-Stor tank, efficiently creating a large amount of domestic hot water at the ready, when you need it!

Choose from either glass-lined carbon steel or high grade stainless steel construction to best meet your water chemistry, both versions give exceptional first hour delivery and high volumes of hot water.

LAARS-STOR
Learn More Here!



LAARS® FT SERIES SPECIFICATIONS

SPECIFICATION	UNITS/CONDITION	Combi Boiler LFTCF199	Heat Only Boiler LFTHF199
Input, Max Fire	MBH (kW)	199 (58)	
AHRI Certified Efficiency	AFUE	95.3%	
AHRI Cert. Heating Capacity	MBH (kW)	182 (53)	
Net AHRI Rating	MBH (kW)	158 (46)	
Turndown		10:1	
Weight, Unit	lbs (kg)	134 (61)	129 (59)
H x W x D	Inches (cm)	38.25 x 17.9 x 19.6 (97.2 x 45.5 x 49.8)	
Heating "CH" Supply	NPT	1 1/2"	
Heating "CH" Return	NPT	1 1/2"	
DHW Outlet	NPT	3/4"	-
DHW Inlet	NPT	3/4"	-
DHW Flow Rate	35°F Rise - GPM (l/m)	9.9 (38)	-
	45°F Rise - GPM (l/m)	7.7 (30)	-
	70°F Rise - GPM (l/m)	5.2 (20)	-
	77°F Rise - GPM (l/m)	4.8 (18)	-
Minimum Flow Rate	GPM (l/m)	0.5 (1.9)	-
Gas Inlet	NPT	3/4"	
Condensate Line	NPT	1/2"	
Gas Supply Pressure	In WC	3.5" to 10.5" NG 8" to 13" LP	
Pressure Relief Settings	psi (kPa)	30 (307)	
Air Intake Collar	Inches (cm)	3 (7.6)	
Exhaust Outlet Collar	Inches (cm)	3 (7.6)	
Vent Diameter & Equivalent Length	Inches / ft.	2" / 50'	
		3" / 100'	
Vent Material		PVC, CPVC, Stainless Steel, Polypropylene	
Fuel		Natural Gas or Propane (propane conversion kit included)	
Power Supply	Volts/Hertz	120 / 60	
Warranty		Limited 10 year heat exchanger / 5 year parts	

Note: The Net AHRI Water Ratings shown are based on a piping and pickup allowance of 1.15.

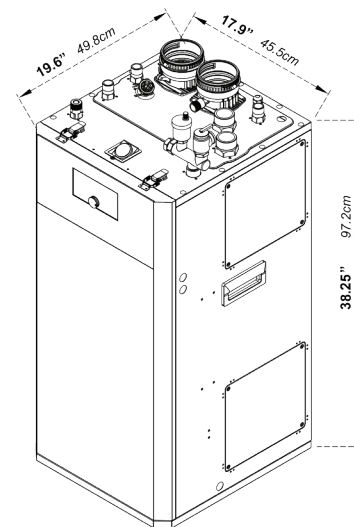
LFTCF199



Front



Right Side





WWW.LAARS.COM



Browse Laars FT Series



Customer Service and Product Support: 800.900.9276 • Fax 800.559.1583
Headquarters: 20 Industrial Way, Rochester, NH 03867 • 603.335.6300 • Fax 603.335.3355
9 Brigden Gate, Halton Hills, Ontario, Canada, L7G 0A3 • 905.203.0600 • Fax 905.636.0666
www.LAARS.com