

THIS SPACE FOR DESIGNER/ENGINEER APPROVAL

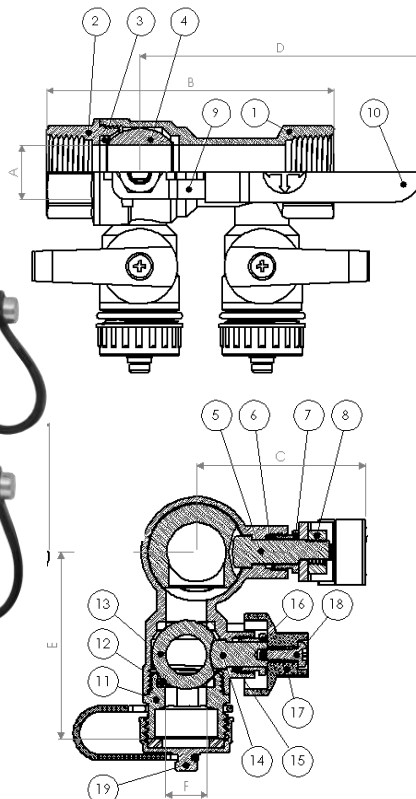
| | | |
|-------------------------------|------------|------------------------|
| Job/Customer _____ | Date _____ | Contractor _____ |
| Model Specified _____ | Qty _____ | Approved By _____ |
| Designer/Engineer Pexheat.com | Date _____ | Contractor's PO# _____ |
| Submitted by _____ | Date _____ | Other _____ |

4861 Series
Full Port Forged Brass Ball Valves
w/ (2) Hi-Flow Hose Drains
IPS
600 WOG
ISO 9001



| ITEM# | SIZE | CTN | CASE | A | B | C | D | E | F |
|-------|--------|-----|------|-------|---------|--------|--------|---------|-----|
| 48613 | 3/4" | 1 | 12 | 3/4 | 3 15/16 | 2 1/8 | 3 7/8 | 2 3/8 | 1/2 |
| 48614 | 1" | 1 | 12 | 1 | 4 5/16 | 2 9/16 | 4 5/8 | 2 9/16 | 1/2 |
| 48615 | 1 1/4" | 1 | 12 | 1 1/4 | 4 7/8 | 2 7/8 | 4 5/8 | 2 15/16 | 3/4 |
| 48616 | 1 1/2" | 1 | 12 | 1 1/2 | 5 1/16 | 3 7/16 | 5 9/16 | 3 1/6 | 3/4 |

PATENTED TECHNOLOGY



| NO. | DESCRIPTION | MATERIAL |
|-----|--------------------------|----------------------------------|
| 1 | BODY | BRASS |
| 2 | END CAP | BRASS |
| 3 | SEAT | PTFE |
| 4 | BALL | BRASS HCP |
| 5 | STEM | BRASS |
| 6 | STEM SEAL | PTFE |
| 7 | PACKING GLAND | BRASS |
| 8 | HANDLE NUT | STAINLESS STEEL |
| 9 | HANDLE | STEEL CP |
| 10 | HANDLE JACKET | VINYL |
| 11 | DRAIN END CAP | BRASS |
| 12 | DRAIN SEAT | PTFE |
| 13 | DRAIN BALL | BRASS HCP |
| 14 | DRAIN STEM | BRASS |
| 15 | DRAIN STEM SEAL | PTFE |
| 16 | DRAIN PACKING GLAND | BRASS |
| 17 | DRAIN VALVE HANDLE | ENAMEL COATED ALUMINUM |
| 18 | DRAIN VALVE HANDLE SCREW | BRASS |
| 19 | CAP & STRAP | BRASS W/ PVC HOSE WASHER & STRAP |

| TEMP °F | PSI |
|---------|-----|
| 100 | 600 |
| 150 | 490 |
| 200 | 470 |
| 250 | 439 |
| 300 | 411 |
| 350 | 294 |
| 366 | N/A |

Specifications: Suitable for residential, commercial or industrial use with water or oil, this valve was specifically designed for filling and draining glycol/antifreeze from any point in a hydronic system. This approved Webstone valve is actuated by a blowout proof stem and features an adjustable packing gland. Threaded ends comply with ANSI B1.20.1.



Quality and Commitment Since 1954

www.webstonevalves.com • P: (800) 225-9529 • F: (800) 336-5133

Webstone product specifications in U.S. customary units are approximate and are provided for reference only. Webstone reserves the right to change or modify product design, construction, specifications or materials without prior notice and without incurring any obligation to make such changes and modifications on Webstone products previously or subsequently sold.

THIS SPACE FOR DESIGNER/ENGINEER APPROVAL

| | | |
|-------------------------------|------------|------------------------|
| Job/Customer _____ | Date _____ | Contractor _____ |
| Model Specified _____ | Qty _____ | Approved By _____ |
| Designer/Engineer Pexheat.com | Date _____ | Contractor's PO# _____ |
| Submitted by _____ | Date _____ | Other _____ |

5861 Series

Full Port Forged Brass Ball Valves w/ (2) Hi-Flow Hose Drains Cx C

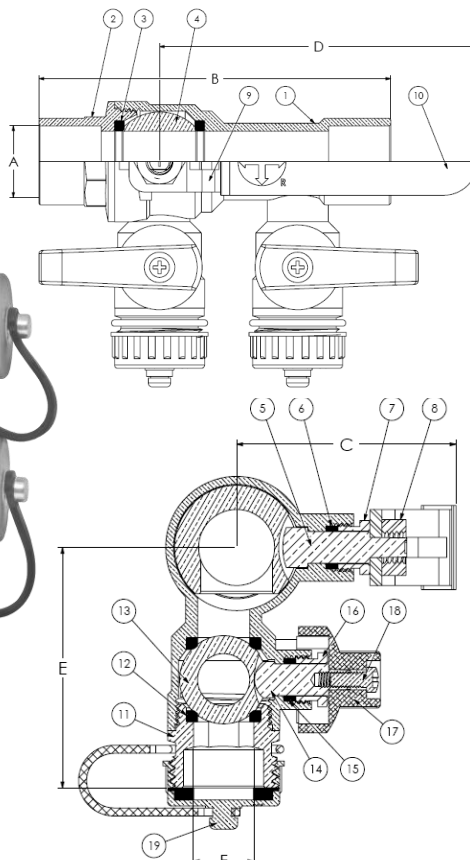
600 WOG

ISO 9001



| ITEM# | SIZE | CTN | CASE | A | B | C | D | E | F |
|-------|--------|-----|------|-------|--------|--------|--------|-------|-----|
| 58613 | 3/4" | 1 | 12 | 3/4 | 4 5/16 | 2 1/8 | 3 7/8 | 2 3/8 | 1/2 |
| 58614 | 1" | 1 | 12 | 1 | 4 3/4 | 2 9/16 | 4 5/8 | 2 5/8 | 1/2 |
| 58615 | 1 1/4" | 1 | 12 | 1 1/4 | 5 1/2 | 2 7/8 | 4 5/8 | 3 | 3/4 |
| 58616 | 1 1/2" | 1 | 12 | 1 1/2 | 6 | 3 7/16 | 5 9/16 | 3 1/2 | 3/4 |

PATENTED TECHNOLOGY



| NO. | DESCRIPTION | MATERIAL |
|-----|--------------------------|----------------------------------|
| 1 | BODY | BRASS |
| 2 | END CAP | BRASS |
| 3 | SEAT | PTFE |
| 4 | BALL | BRASS HCP |
| 5 | STEM | BRASS |
| 6 | STEM SEAL | PTFE |
| 7 | PACKING GLAND | BRASS |
| 8 | HANDLE NUT | STAINLESS STEEL |
| 9 | HANDLE | STEEL CP |
| 10 | HANDLE JACKET | VINYL |
| 11 | DRAIN END CAP | BRASS |
| 12 | DRAIN SEAT | PTFE |
| 13 | DRAIN BALL | BRASS HCP |
| 14 | DRAIN STEM | BRASS |
| 15 | DRAIN STEM SEAL | PTFE |
| 16 | DRAIN PACKING | BRASS |
| 17 | DRAIN VALVE HANDLE | ENAMEL COATED ALUMINUM |
| 18 | DRAIN VALVE HANDLE SCREW | BRASS |
| 19 | CAP & STRAP | BRASS W/ PVC HOSE WASHER & STRAP |

| TEMP °F | PSI |
|---------|-----|
| 100 | 600 |
| 150 | 485 |
| 200 | 395 |
| 250 | 210 |
| 300 | N/A |
| 350 | N/A |
| 366 | N/A |

Specifications: Suitable for residential, commercial or industrial use with water or oil, this valve was specifically designed for filling and draining glycol/antifreeze from any point in a hydronic system. This approved Webstone valve is actuated by a blowout proof stem and features an adjustable packing gland. Solder joint temperature ratings are per ASME B16.18 Annex A for 95-5 solder. Other solder materials have lower pressure/temperature limits. Do not silver braze or overheat valves when soldering.

Webstone

VALVE INNOVATION

Quality and Commitment Since 1954

www.webstonevalves.com • P: (800) 225-9529 • F: (800) 336-5133

Webstone product specifications in U.S. customary units are approximate and are provided for reference only. Webstone reserves the right to change or modify product design, construction, specifications or materials without prior notice and without incurring any obligation to make such changes and modifications on Webstone products previously or subsequently sold.

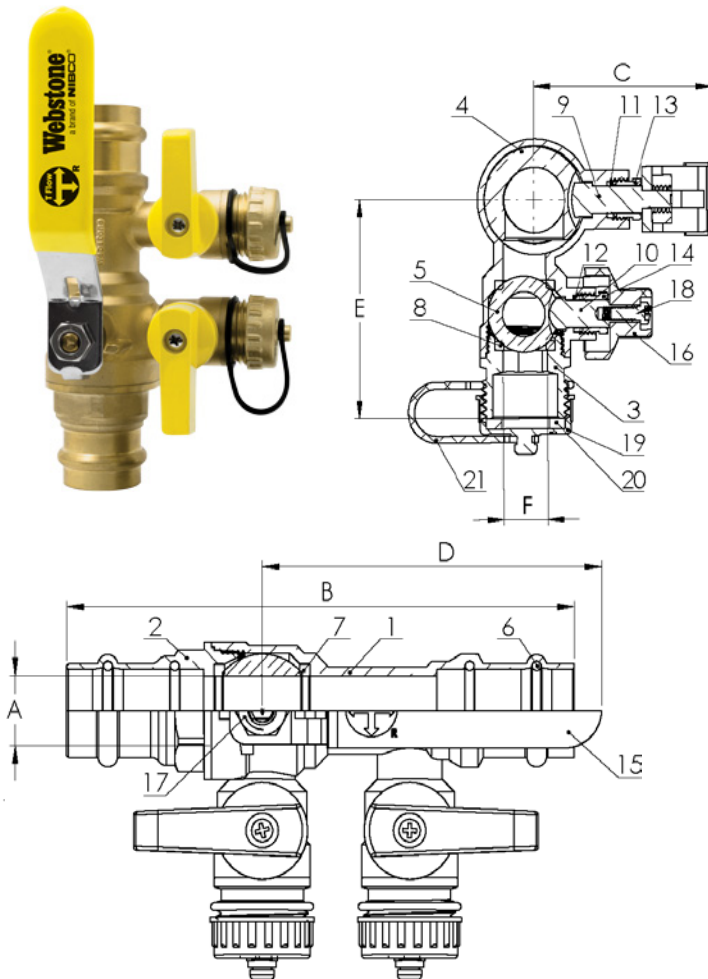
5861Spec_10152015

8861 Series

Pro-Pal Purge & Fill
 Full Port Forged Brass Ball Valve
 w/ (2) Hi-Flow Hose Drains,
 Reversible Handle
 & Adjustable Packing Glands
 Press
 Max Operating Pressure: 250 CWP
 Max Temperature: 250 F



| ITEM# | SIZE (in) | CTN | CASE | A | B | C | D | E | F |
|-------|-------------|-----|------|------|------|------|------|------|------|
| 88613 | 3/4 x 1/2 | 1 | 12 | 0.75 | 5.82 | 2.00 | 3.36 | 2.50 | 0.50 |
| 88614 | 1 x 1/2 | 1 | 12 | 1.00 | 6.06 | 2.45 | 4.65 | 2.70 | 0.50 |
| 88615 | 1 1/4 x 3/4 | 1 | 12 | 1.25 | 7.24 | 2.73 | 4.41 | 3.15 | 0.75 |
| 88616 | 1 1/2 x 3/4 | 1 | 6 | 1.50 | 7.45 | 3.31 | 5.59 | 3.35 | 0.75 |



| NO. | DESCRIPTION | MATERIAL |
|-----|-----------------------|-----------------|
| 1 | Body | Brass |
| 2 | End Cap | Brass |
| 3 | Drain End Cap | Brass |
| 4 | Ball | Brass |
| 5 | Drain Ball | Brass |
| 6 | O-Ring | EPDM |
| 7 | Seats | PTFE |
| 8 | Drain Seats | PTFE |
| 9 | Stem | Brass |
| 10 | Drain Stem | Brass |
| 11 | Packing Gland | PTFE |
| 12 | Drain Packing Gland | PTFE |
| 13 | Packing Nut | Brass |
| 14 | Drain Packing Nut | Brass |
| 15 | Handle | Steel CP |
| 16 | Drain Handle | Aluminum |
| 17 | Handle Nut | Stainless Steel |
| 18 | Drain Handle Fastener | Stainless Steel |
| 19 | Drain Cap | Brass |
| 20 | Drain Cap Gasket | EPDM |
| 21 | Drain Cap Strap | PVC |

Designed for residential, commercial or industrial use with water, oil or gas. This approved Webstone valve is actuated by a blowout proof stem and features an adjustable packing gland.