

SUBMITTAL SHEET

JOB NAME	ITEM TAG
JOB LOCATION	PART NUMBER
CONTRACTOR	DATE
ENGINEER APPROVAL	DATE

STAINLESS STEEL MANIFOLD SERIES

M-8330P Stainless Pro

EPDM o-ring seals at all connections.

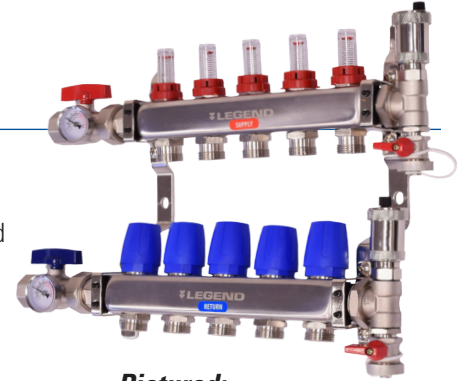
Includes end adapter with automatic air vent and fill/purge valve.

Automatic, serviceable air vent with check valve.

Built-in visual flow meter for quick circuit performance verification.

Optional 4-Wire Circuit Actuators.

- Manifold connection: 1" NPT female, on manifold isolation ball valve.



Pictured:
M-8330P Stainless Pro

Manifold connection: 1" NPT female on manifold isolation ball valves.

Specifications:

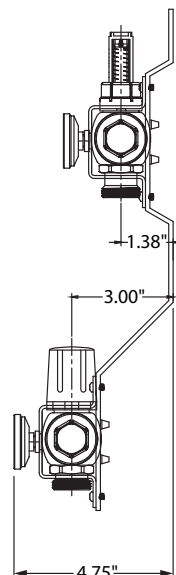
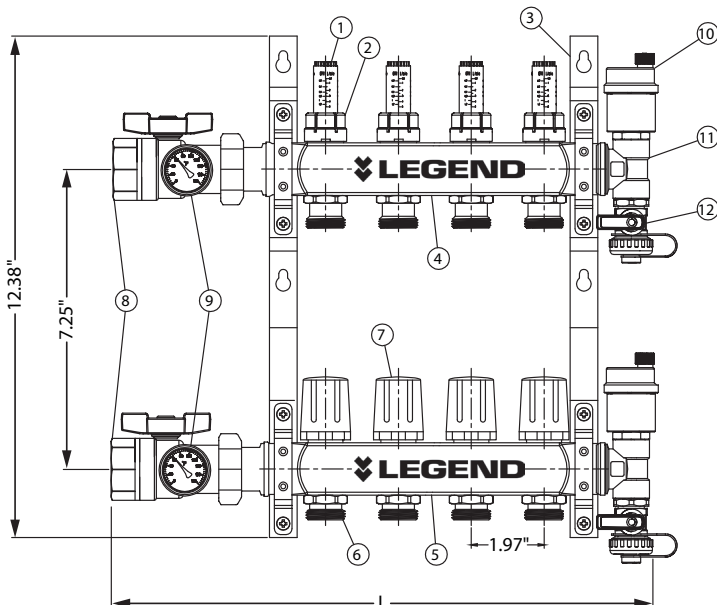
Max Working Pressure, Non-Shock: 125 p.s.i

Max Working Temperature: 230° F

Max Flow, 1" Manifold: 2 gpm per circuit up to 16 gpm

MATERIAL SPECIFICATION

PART	MATERIAL	QTY	
1	Flow Meter / Balance Valve	High-Temperature Polymer	2 to 12
2	Lock Shield	Plastic	2 to 12
3	Mounting Bracket	Galvanized Steel	2
4	Supply Manifold	304 Stainless steel	1
5	Return Manifold	304 Stainless steel	1
6	Tubing Port Connection	Nickel Plated Forged Brass UNS C37700	4 to 24
7	Flow Valve	High-Temperature Polymer	2 to 12
8	Manifold Isolation Ball Valve	Nickel Plated Forged Brass UNS C37700	2
9	Thermometer	Aluminum Case / Glass Face	2
10	Automatic Air Vent	Nickel Plated Forged Brass UNS C37700	2
11	Fill and Purge Tee	Nickel Plated Forged Brass UNS C37700	2
12	Fill and Purge Valve	Nickel Plated Forged Brass UNS C37700	2



DIMENSIONS

No. of Circuits	L (in.)
2	10.16"
3	12.13"
4	14.09"
5	16.06"
6	18.03"
7	20.00"
8	21.97"
9	23.94"
10	25.91"
11	27.88"
12	29.84"

Pictured:
M-8330P Stainless Pro
4-Circuit Manifold

Available at: 888-470-2757

PEXHEAT.COM