



## Why use Stainless Steel manifolds on your next project?

### Create a Professional Appearance

- After the installation, manifolds are one component homeowners and builders will actually see.

### Versatility

- 1 to 12 circuits
- 1" and 1-1/2" trunks
- 4-wire actuators for individual circuit control
- Mounts in a 2x4 wall
- Easy to add extra circuits
- Bring supply/return in from either end

### Save Time on Installation

- Seamless, one-piece construction
- Already mounted on brackets
- Easy to balance flow or find air-locked circuits with flow meters
- Easy to measure zone temperature drop



A subsidiary of Watts Water Technologies, Inc.

4500 E. Progress Place  
Springfield, MO 65803  
ph: 417.864.6108  
800.276.2419  
fax: 417.864.8161  
www.wattsradiant.com

# Professionals Choose Stainless

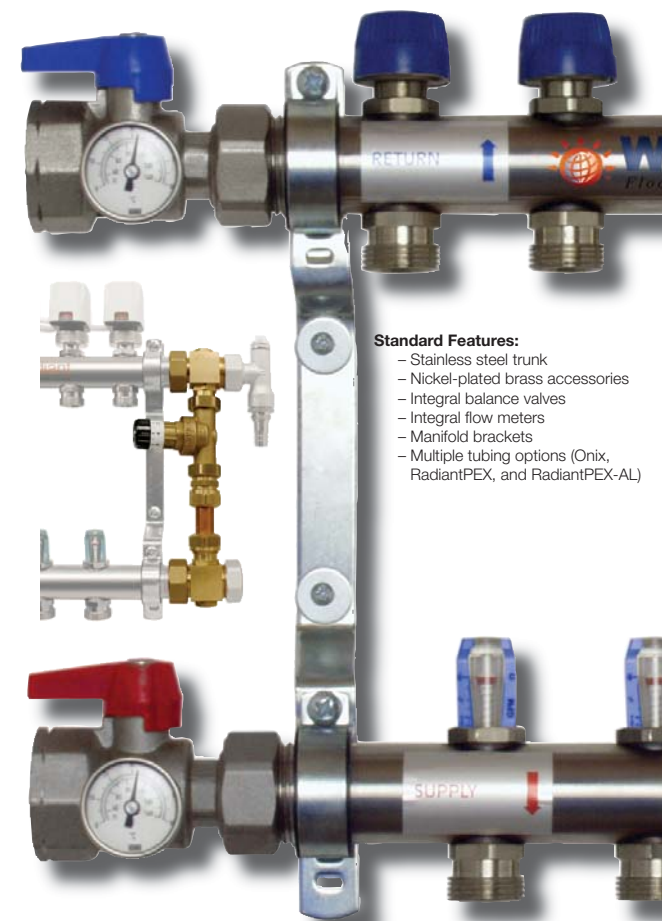
*"I chose Watts Radiant's stainless manifolds because of what they could do. I keep using them because of the response my customers have."*



A subsidiary of Watts Water Technologies, Inc.

4500 E. Progress Place  
Springfield, MO 65803  
ph: 417.864.6108  
800.276.2419  
fax: 417.864.8161  
www.wattsradiant.com

Give your customers what they need by giving them what they want.



### Standard Features:

- Stainless steel trunk
- Nickel-plated brass accessories
- Integral balance valves
- Integral flow meters
- Manifold brackets
- Multiple tubing options (Onix, RadiantPEX, and RadiantPEX-AL)

Available at: 631-240-9173

**PEXHEAT.COM**

Technical Details	1"	1-1/2"
Trunk Material	AISI 304 Stainless	AISI 304 Stainless
Nominal Trunk Size	1" id	1-1/2" id
Circuit Spacing	2-1/8" oc	2-1/8" oc
Thread/Connection Type	BSP Thread	BSP Thread
Max. Trunk Flow Rate	12 gpm	22 gpm
Max. Circuit Flow Rate	2.0 gpm	4.0 gpm
Max. Operating Temperature	194°F	194°F
Max. Operating Pressure	87 psi	87 psi

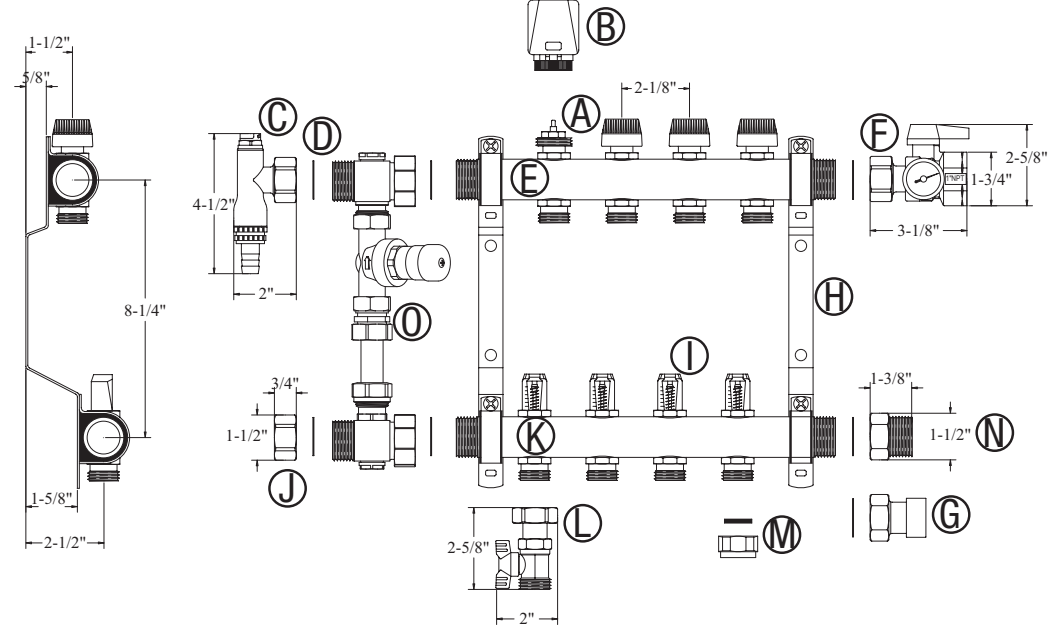
**1" Stainless Steel Manifold Product Options**

Description	Part #	Order #
M-2 Manifold Pair	D3803002SS	81001981
M-3 Manifold Pair	D3803003SS	81001982
M-4 Manifold Pair	D3803004SS	81001983
M-5 Manifold Pair	D3803005SS	81003398
M-6 Manifold Pair	D3803006SS	81001984
M-7 Manifold Pair	D3803007SS	81003682
M-8 Manifold Pair	D3803008SS	81001985
M-9 Manifold Pair	D3803009SS	81003687
M-10 Manifold Pair	D3803010SS	81001986
M-11 Manifold Pair	D3803011SS	81003688
M-12 Manifold Pair	D3803012SS	81001987
1" Kit with FNPT Isolation Ball Valves	DK1000	81003736
1" Kit with 1" MNPT Manifold Adapters	DK2000	81003939
1" Kit with 3/4" Sweat Manifold Adapters	DK7000	81005455
1" Kit with 1" Sweat Manifold Adapters	DK3000	81005369
1" FBSP x MBSP Manifold Elbow	D3517020-N	81005364
Red Trunk Iso Valve w/ Temp Gauge	D4201725-NR	81001995
Blue Trunk Iso Valve w/ Temp Gauge	D4201730-NB	81001994
Add-a-Zone (M-1) Assembly	D3804000SS	81002934
Circuit Isolation Cap	D4201700-S	81005479
Circuit Isolation Mini Ball Valve	D4201712-N	81003689
Valve Actuator	PZ656104	81001541
Pressure Differential By-Pass	D4402050	81005345
IsoTherm Mixing Module	D3803995	81005361

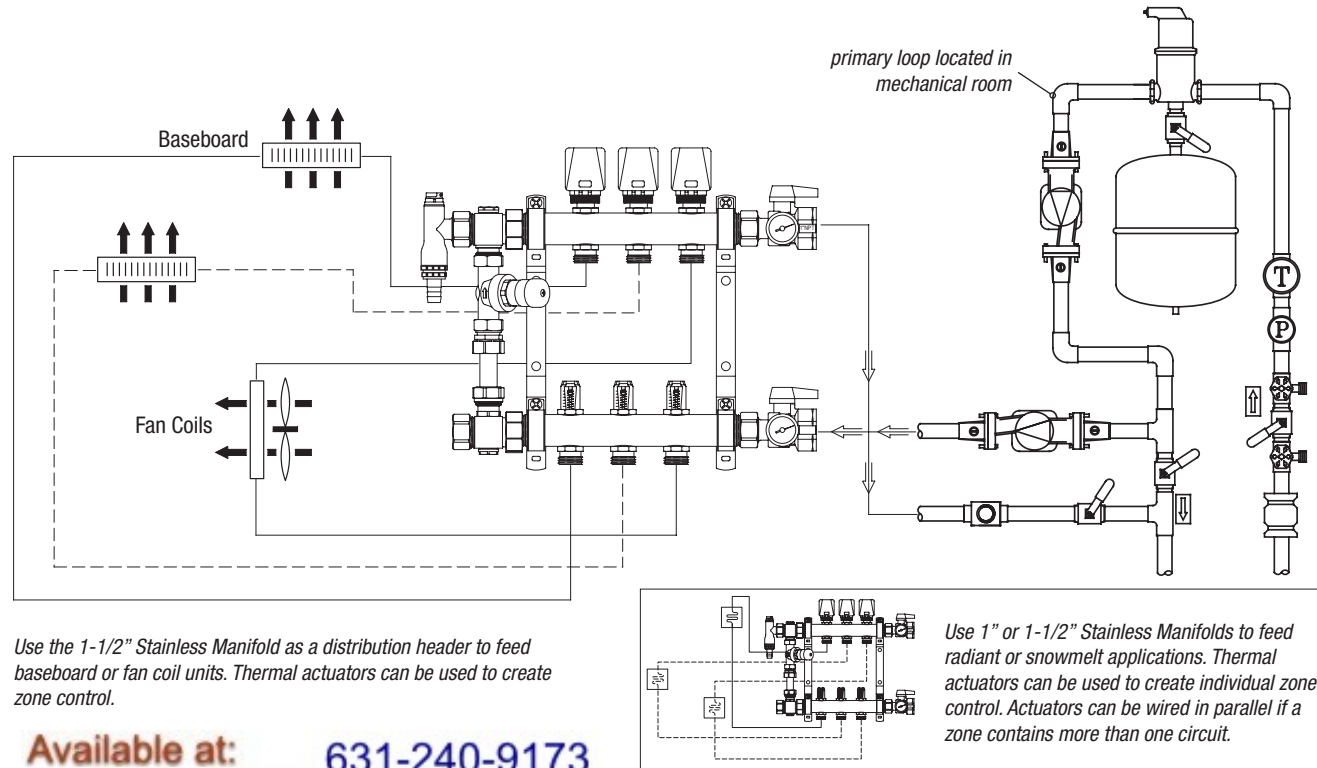
**1-1/2" Stainless Steel Manifold Product Options**

Description	Part #	Order #
M-4 Manifold Pair	D3807604SS	81005355
M-5 Manifold Pair	D3807605SS	81005356
M-6 Manifold Pair	D3807606SS	81005357
M-8 Manifold Pair	D3807608SS	81005358
M-10 Manifold Pair	D3807610SS	81005359
M-12 Manifold Pair	D3807612SS	81005360
1-1/2" Trunk Isolation Valve, Red	D3515930-NR	81005362
1-1/2" Trunk Isolation Valve, Blue	D3515935-NB	81005363
1-1/2" SSM x 1-1/2" MNPT Adapter	D3515920	81005368
1-1/2" SSM x 1-1/4" MNPT Adapter	D3515920-N	81006259
1-1/2" SSM Elbow	D3515925-N	81005365
1-1/2" SSM x 1-1/2" Swt Adapter	D0708	81005480
Vent/Purge Assembly, 1-1/2"	D3515940-N	81005457
1-1/2" SSM End Cap	D3515910-N	81005425
1-1/2" SSM Coupling	D3290010-N	81005426
Circuit Outlet Cap	D4201700-S	81005479
Circuit Isolation Mini Ball Valve	D4201710-N	81001992
Circuit Thermal Actuator	PZ656104	81001541
1-1/2" SSM Pressure Test Kit	D665261	81005373
Assembly Kit, 1-1/2" Isolation Valves	DK4000	81005370
Assembly Kit, 1-1/2" NPT Adapters	DK5000	81005371
Assembly Kit, 1-1/2" Swt Adapters	DK6000	81005372

- Key**
- A. Internal Balance Valve with Adjustment Key
  - B. Thermal Actuator
  - C. Vent/Purge Assembly
  - D. Gasket
  - E. Return Manifold Trunk
  - F. Trunk Ball Valve with Temp Gauge
  - G. SSM to Swt Transition
  - H. Manifold Bracket
  - I. Flow Meter
  - J. End Cap
  - K. Supply Manifold Trunk
  - L. Circuit Isolation Mini Ball Valve
  - M. Circuit Isolation Cap
  - N. SSM x MNPT Transition Adapter
  - O. Pressure Differential By-Pass

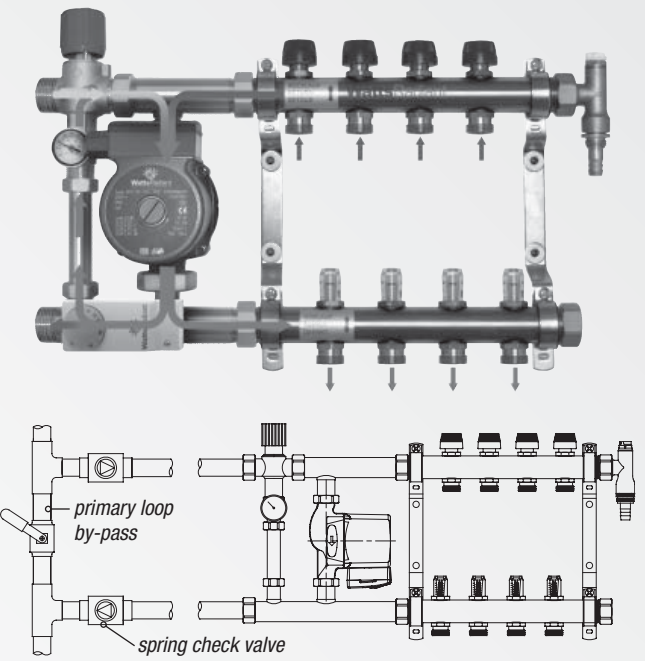


**Possible Manifold Piping Configurations**

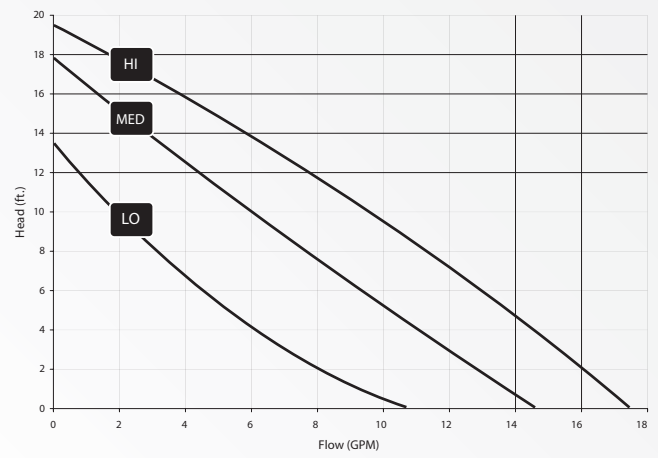


Available at: **631-240-9173**  
**PEXHEAT.COM**

**IsoTherm Mixing Module**



The IsoTherm Mixing Module is a simple, compact, pre-piped pump and mix valve assembly designed to thread directly to a 1" Stainless Steel manifold. When using the IsoTherm, make sure to incorporate check valves in the supply and return piping from the primary loop



The IsoTherm module uses a Grundfos 3 speed circulator. Flow capacities can be modified by adjusting the speed setting from HI, MED, or LO. Corresponding curve capacities are shown in the graph above.