

SUBMITTAL SHEET

JOB NAME	ITEM TAG
JOB LOCATION	PART NUMBER
CONTRACTOR	DATE
ENGINEER APPROVAL	DATE

HIGH PERFORMANCE AIR & DEBRIS ELIMINATOR

T-88

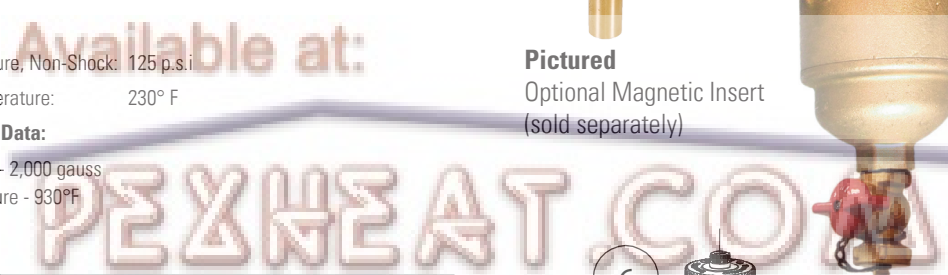
- Union connections
- Automatic, serviceable air vent with check valve
- 1/4 turn drain valve with GHT and tethered cap
- Serviceable stainless steel screen.
- A variety of tailpiece connection styles are available (sold separately).
- Two orientations available to maximize your most important function: air or debris removal.
- Optional magnetic insert to increase debris removal capability.

Specifications:

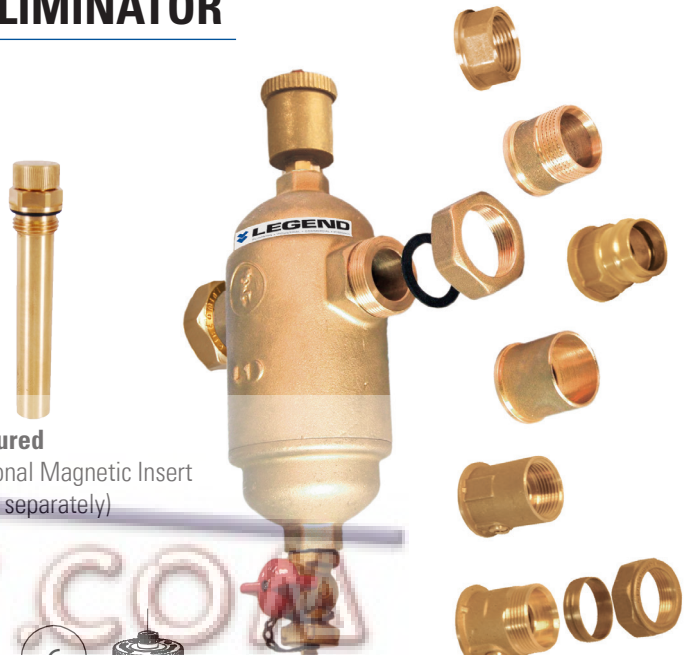
Max. Working Pressure, Non-Shock: 125 p.s.i.
Max. Working Temperature: 230° F

Magnet Technical Data:

Magnetic Induction - 2,000 gauss
Maximum Temperature - 930°F



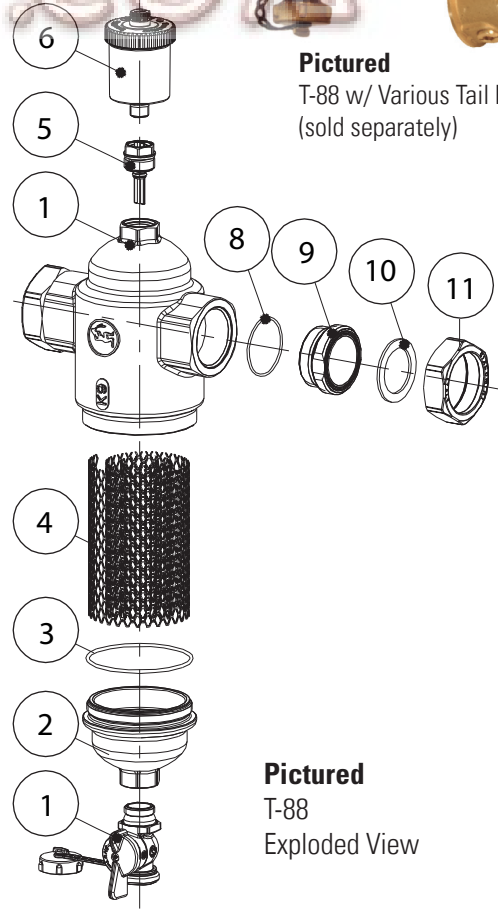
Pictured
Optional Magnetic Insert
(sold separately)



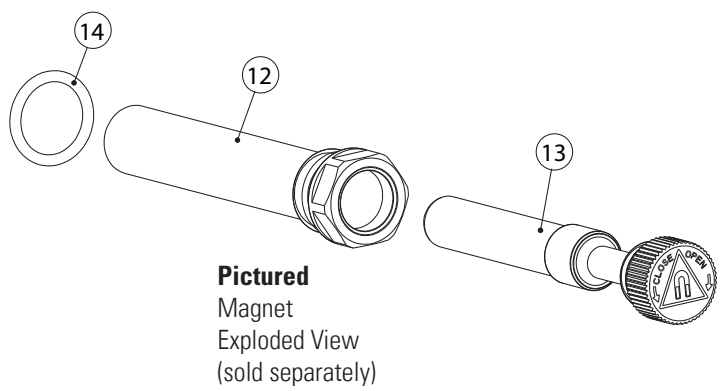
Pictured
T-88 w/ Various Tail Pieces
(sold separately)

MATERIAL SPECIFICATION

PART	MATERIAL	SPECIFICATION
1 Body	Forged brass	ASTM B124 UNS C37700
2 End adapter	Forged brass	ASTM B124 UNS C37700
3 O-ring	EPDM	Commercial grade
4 Internal strainer	Stainless steel	AISI 304
5 Check valve	Forged brass (body)	ASTM B124 UNS C37700
6 Air vent	Forged brass (body)	ASTM B124 UNS C37700
7 Drain valve w/ GHT	Forged brass (body)	ASTM B124 UNS C37700
8 O-ring	EPDM	ASTM B124 UNS C37700
9 MPT body adapter	Forged brass	ASTM B124 UNS C37700
10 Adapter gasket	EPDM	Commercial grade
11 Union nut	Forged brass	ASTM B124 UNS C37700
12 Magnet well	Forged brass	ASTM B124 UNS C37700
13 Magnet assembly	Aluminum Nickel Cobalt	-
14 O-ring	EPDM	Commercial grade



Pictured
T-88
Exploded View



Pictured
Magnet
Exploded View
(sold separately)

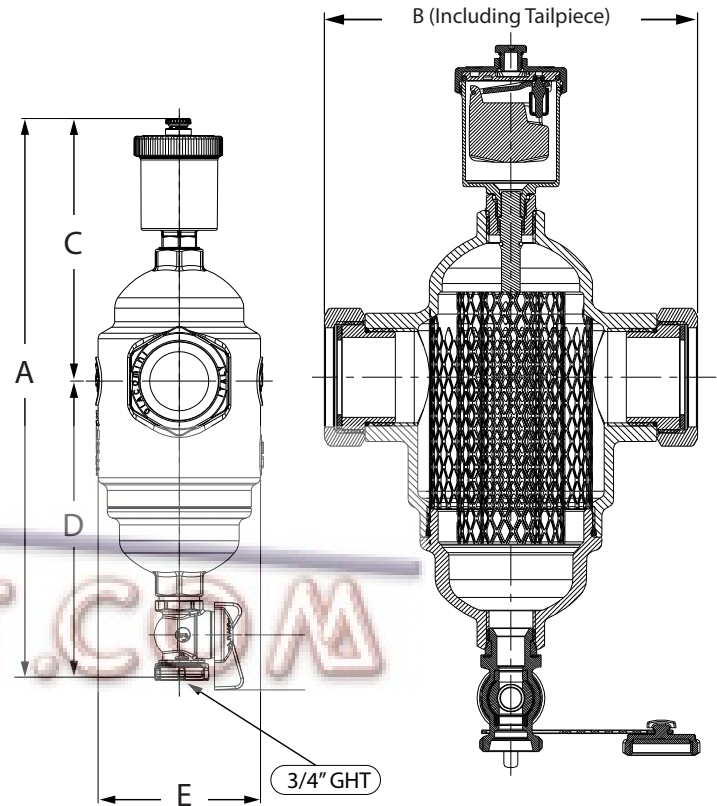
SUBMITTAL SHEET

JOB NAME		ITEM TAG	
JOB LOCATION		PART NUMBER	
CONTRACTOR	DATE		
ENGINEER APPROVAL	DATE		

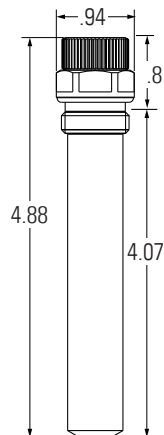
DIMENSIONS

Size	A		B		C		D	E
	Vent	Magnet	Vent	Magnet	Vent	Magnet		
3/4" FNPT	11.80	9.80	6.50	5.29	3.29	6.52	3.07	
3/4" MNPT	11.80	9.80	7.20	5.29	3.29	6.52	3.07	
3/4" SWT	11.80	9.80	6.38	5.29	3.29	6.52	3.07	
3/4" Press	11.80	9.80	8.00	5.29	3.29	6.52	3.07	
3/4" ISO Valve Comp	11.80	9.80	8.38	5.29	3.29	6.52	3.07	
3/4" ISO Valve FNPT	11.80	9.80	8.25	5.29	3.29	6.52	3.07	
1" FNPT	11.80	9.80	7.50	5.29	3.29	6.52	3.07	
1" MNPT	11.92	9.92	7.38	5.60	3.60	6.32	3.46	
1" SWT	11.80	9.80	7.38	5.29	3.29	6.52	3.07	
1" Press	11.92	9.92	9.25	5.60	3.60	6.32	3.46	
1" ISO Valve Comp	11.92	9.92	9.81	5.60	3.60	6.32	3.46	
1" ISO Valve FNPT	11.92	9.92	9.50	5.60	3.60	6.32	3.46	
1-1/4" FNPT	11.92	9.92	10.31	5.60	3.60	6.32	3.46	
1-1/4" MNPT	11.92	9.92	9.13	5.60	3.60	6.32	3.46	
1-1/4" SWT	11.92	9.92	9.13	5.60	3.60	6.32	3.46	
1-1/4" ISO Valve FNPT	11.92	9.92	10.31	5.60	3.60	6.32	3.46	
1-1/2" MNPT	12.13	10.13	10.00	5.50	3.50	6.63	3.50	
1-1/2" SWT	12.13	10.13	10.00	5.50	3.50	6.63	3.50	

Available at:
PEXHEAT.COM

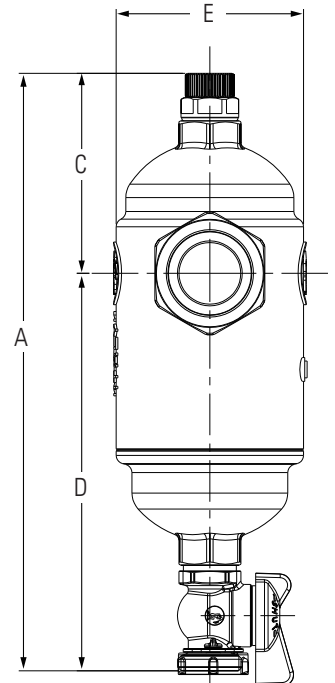


T-88 w/ Air Vent



Pictured
Optional Magnetic Insert

Note: To remove the optional magnet, allow 4.88" above the T-88 when installed.



T-88 w/ Magnetic Insert

SIZING CHART

Connection Size	Maximum Flow Rate	Cv
3/4"	6 gpm	*
1"	11 gpm	*
1 1/4"	18 gpm	*
1 1/2"	25 gpm	*

* The pressure drop thru the T-88 is so low, the Cv is not measurable.