

For Residential, Light Commercial, and Snowmelt Applications

Job Name _____

Contractor _____

Job Location _____

Approval _____

Engineer _____

Contractor's P.O. No. _____

Approval _____

Representative _____

HydroNex D-Series DVIP Panel

Sizes: 1-1/4" Trunk; 3/4" Zone

DVIP panels use injection reset mixing to modulate the supply fluid temperature to the radiant zones. The injection bridge is 1/2" in size for all DVIP panels. All zones are 3/4" supply with a common 1" return.

A Tekmar 361 is provided to control the injection circulator.

When selecting a VIP panel, the following guidelines should be followed:

- Make sure all zones fall within a 20 degree required temperature range. (i.e. 110, 114, 125 supply temperature requirements can be grouped from a single injection circulator).
- Make sure 25% of the combined flow rates of the selected zones do not exceed 5 gpm (or the combined zone gpm can not exceed 20 gpm). Higher flow rates may result in lower maximum supply fluid temperatures.

Installation

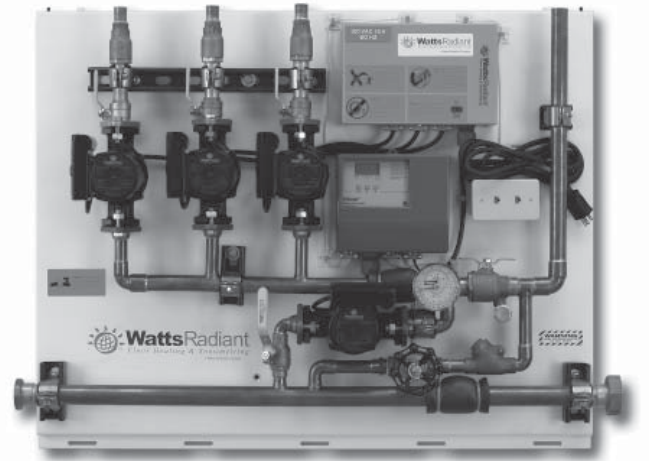
Make sure an electrical outlet is within 3 feet of where the D-Series panel will mount. If there are no outlets, one will need to be added.

Install and level Z-Bracket with 1/4" x 2-1/2" lag screw to studs. Make sure the Z-Bracket is the correct size for the given D-Series panel. Incorrect Z-Brackets may interfere with cover placement.

Hang the D-Series panel on the Z-Bracket. Optional lag screws may be added to the bottom of the panel, further securing the panel to the wall. Hang cover from top down.

To purge a VIP panel make sure all necessary isolation valves are closed and all purge valves are open. Proceed until all zones are filled and purged. Open all purge ball valves and cap the drain. Make sure all isolation ball valves are open for normal operation.

Refer to the installation manual for further details.



Features

- Wall mounted white powder coated back panel and cover.
- Easy access to all components.
- Pre-wired circulators and controls.
- Simple CAT 5 jump wiring to connect panels.
- Single union connection between panels.
- Integrated leveling system.
- Z-Bracket for simplified mounting.

Specifications

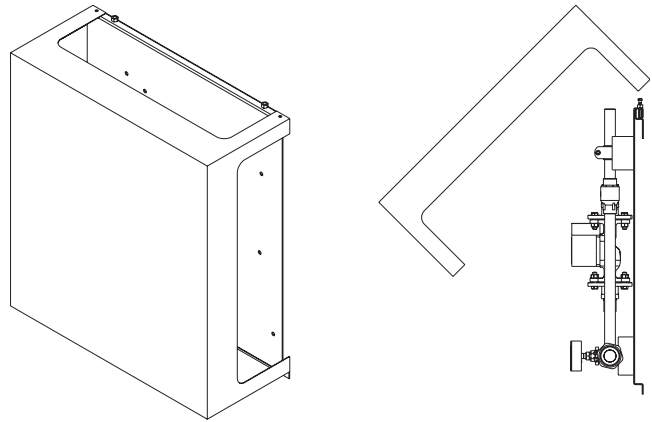
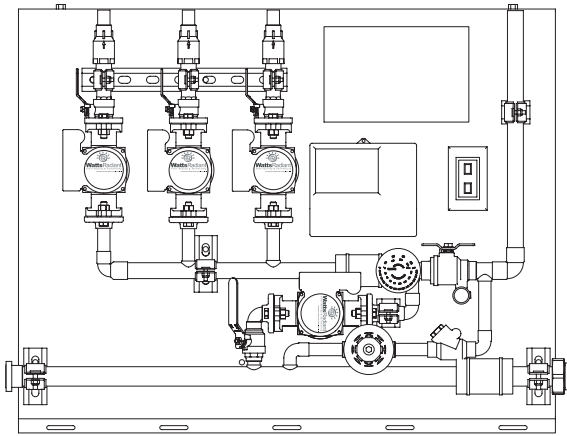
Supply Voltage	120 Volts
Circulator Type.	Watts Radiant 15-58
.	Taco 007
.	Bell and Gossett NRF-22
Electrical	Relay and CAT 5 Connection
Injection/Reset Control	Tekmar 361

Available at: 631-240-9173

PEXHEAT.COM
WattsRadiant
 Floor Heating & Snowmelt

A subsidiary of Watts Water Technologies, Inc.

Watts product specifications in U.S. customary units and metric are approximate and are provided for reference only. For precise measurements, please contact Watts Technical Service. Watts reserves the right to change or modify product design, construction, specifications, or materials without prior notice and without incurring any obligation to make such changes and modifications on Watts products previously or subsequently sold.



Hydronex D-Series DVIP 3 zone panel. DVIP series are available from 1 to 5 zones.

Product Options

Qty.	Description	Part #	Order #	Panel Size
	DVIP Panel, 1 Watts Radiant 15-58 Pump	DVIP1WR1558	81005836	28" x 31.5"
	DVIP Panel, 2 Watts Radiant 15-58 Pumps	DVIP2WR1558	81005837	40" x 31.5"
	DVIP Panel, 3 Watts Radiant 15-58 Pumps	DVIP3WR1558	81005838	40" x 31.5"
	DVIP Panel, 4 Watts Radiant 15-58 Pumps	DVIP4WR1558	81005839	52" x 31.5"
	DVIP Panel, 5 Watts Radiant 15-58 Pumps	DVIP5WR1558	81005840	52" x 31.5"
	DVIP Panel, 1 Taco 007 Pump	DVIP1TA007	81005841	28" x 31.5"
	DVIP Panel, 2 Taco 007 Pumps	DVIP2TA007	81005842	40" x 31.5"
	DVIP Panel, 3 Taco 007 Pumps	DVIP3TA007	81005843	40" x 31.5"
	DVIP Panel, 4 Taco 007 Pumps	DVIP4TA007	81005844	52" x 31.5"
	DVIP Panel, 5 Taco 007 Pumps	DVIP5TA007	81005845	52" x 31.5"
	DVIP Panel, 1 Bell & Gossett NRF-22 Pump	DVIP1BGNRF22	81005846	28" x 31.5"
	DVIP Panel, 2 Bell & Gossett NRF-22 Pumps	DVIP2BGNRF22	81005847	40" x 31.5"
	DVIP Panel, 3 Bell & Gossett NRF-22 Pumps	DVIP3BGNRF22	81005848	40" x 31.5"
	DVIP Panel, 4 Bell & Gossett NRF-22 Pumps	DVIP4BGNRF22	81005849	52" x 31.5"
	DVIP Panel, 5 Bell & Gossett NRF-22 Pumps	DVIP5BGNRF22	81005850	52" x 31.5"

Available at: 631-240-9173

PEXHEAT.COM

WattsRadiant
Floor Heating & Snowmelting

A subsidiary of Watts Water Technologies, Inc.

USA: 4500 East Progress Place, Springfield, MO 65803; www.wattsradiant.com

Canada: 5435 North Service Rd., Burlington, ONT. L7L 5H7; www.wattscanada.ca